

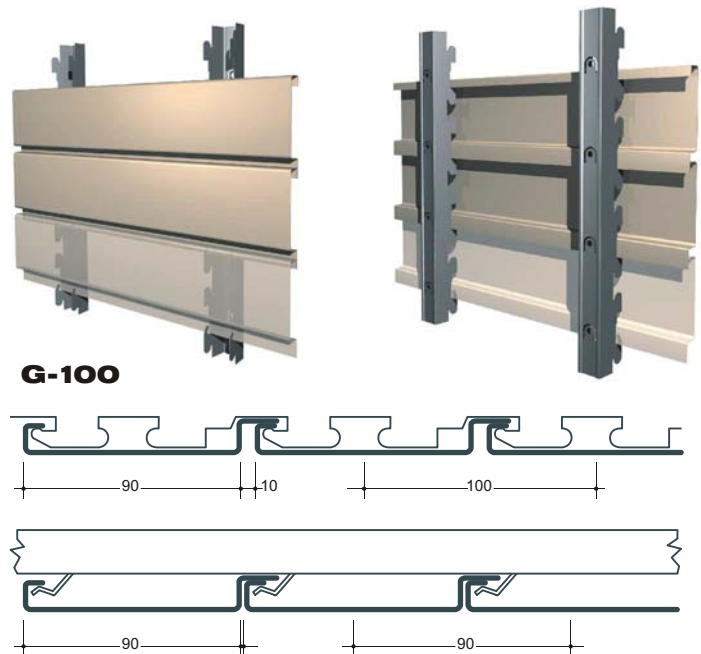
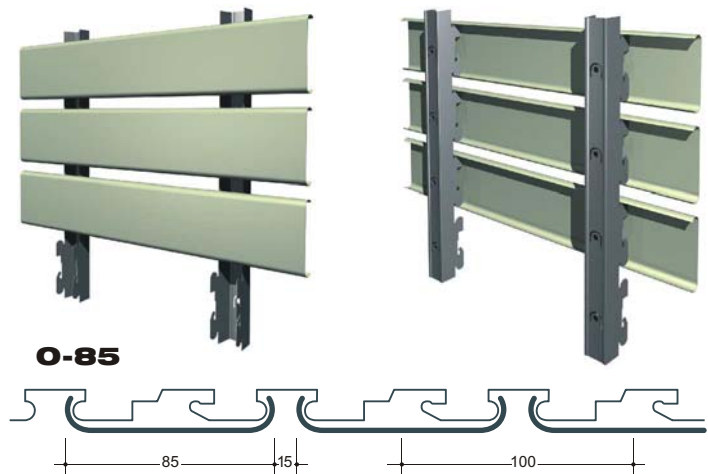
STRIPS

“type O-85/G-100/G-150”/

CLADDING

FACADES

- Easy and prompt solution
- Highest resistance to the wind pressure
- Weather resistance guarantee
- Ideal covering of the structure



To transform in integral way the cladding: in the aesthetic, in the structure and in the functionality it is possible to project continuous cladding and sun breaker by means of special strips and particular main structures.

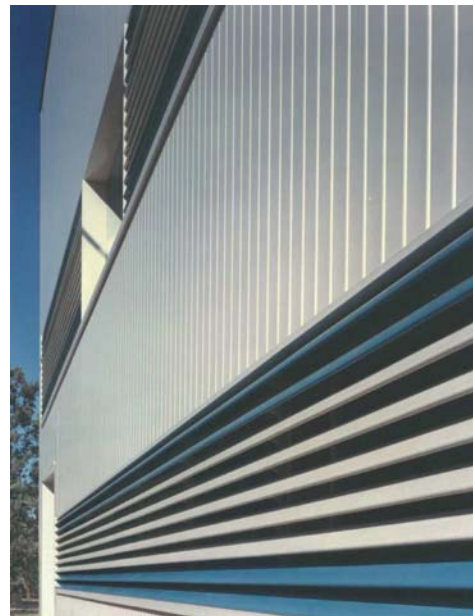
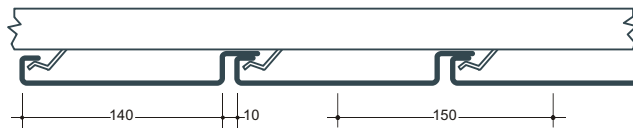
It guarantees weather resistance and the highest mechanical resistance.

Painted aluminium strips allow cladding either on vertical, horizontal and diagonal way.

STRIPS “type O-85/G-100/G-150”/ CLADDING FACADES



G-150



The sun breaker is made of prepainted aluminium strips “SERIE O-85” with open shutter, inserted on appropriate profiles forming a screening that allows the passing of light.

The sun breaker can be in two different ways: 45° sloping of the screening or 30° sloping of the screening.



CLADDING

STRIPS “type GR-200/GR-300” FACADES

- Easy and prompt aesthetic and structural solution
- Highest resistance to the wind pressure
- Weather resistance guarantee
- Ideal covering of the structure



To transform in integral way the cladding: in the aesthetic, in the structure and in the functionality it is possible to project continuous cladding and sun breaker by means of special strips and particular main structures. It guarantees weather resistance and the highest mechanical resistance. Prepainted aluminium strips allow cladding either on vertical, horizontal and diagonal way. Strips “SERIE GR” are suitable for ventilated walls when a thermal insulation is required. The performances of this cladding are exclusive.

STRIPS

“type GR-200/GR-300”

FACADES

